

# Fremont VBC 3/10/24

U 13 – Silver -Bahe Gym

Fremont High School - 1750 N. Lincoln Ave, Fremont NE

DOORS OPEN AT 7:15 AM

CONCESSIONS AVAILABLE - CASH ONLY

ADMISSION \$5.00 - CASH ONLY

Warm-ups will be 2 minutes of shared court time, followed by 4 min of hitting for the serving team and 4 min of hitting for the receiving team.

Warm-ups can be shortened to 1-3-3 after each team's first match.

Serving is to be completed during each team's court time. THERE IS NO SHARED SERVING

**Pool play will be 2 sets to 25 points, starting at 7.**

## Pool A

1. Tri-State 13-1
2. PRS 13 Bronze
3. Fremont VBC 13-1
4. THVBC 13

## Pool B

1. Arena Black
2. Storm 13-1
3. Kill Club 13-3

| Time (Approx.) | Court # 1               | Ref         | Court #2      | Ref |
|----------------|-------------------------|-------------|---------------|-----|
| 8:00 AM        | A1 vs A3                | A2          | B1 vs B3      | B2  |
| 8:45 AM        | A2 vs A4                | A1          | B2 vs B3      | B1  |
|                | A1 vs A4                | A3          | B1 vs B2      | B3  |
|                | A2 vs A3                | A4          | XXXXX         | XX  |
|                | CH1) A1 vs B2           | B1/A2 split | CO1) A3 vs A4 | B3  |
|                | CH2) B1 vs A2           | Isr CH1     | CO2) B3 vs A4 | A3  |
|                | CH3) Isr CH1 vs Isr CH2 | wnr CH2     | CO3) A3 vs B3 | A4  |
|                | CH4) wnr CH1 vs wnr CH2 | Isr CH3     | XXXXX         | XX  |

**CH = Championship Bracket; CO = Consolation Pool**

The top 2 teams from each pool will advance to a Championship bracket.

The remaining teams will advance to a Consolation round robin pool.

**THERE WILL BE NO PLAY-OFF GAMES.**

TEAMS WILL BE ASSIGNED TO TOURNAMENTS BY THE FOLLOWING METHOD:

1. BEST SET (games) RECORD
2. HEAD TO HEAD COMPETITION (to include point differential)
3. TOTAL POINT DIFFERENTIAL
4. A COIN TOSS, IF NECESSARY

INDIVIDUAL PRIZES WILL BE AWARDED TO THE FIRST PLACE TEAM IN THE CHAMPIONSHIP BRACKET.

# Fremont VBC 3/10/24

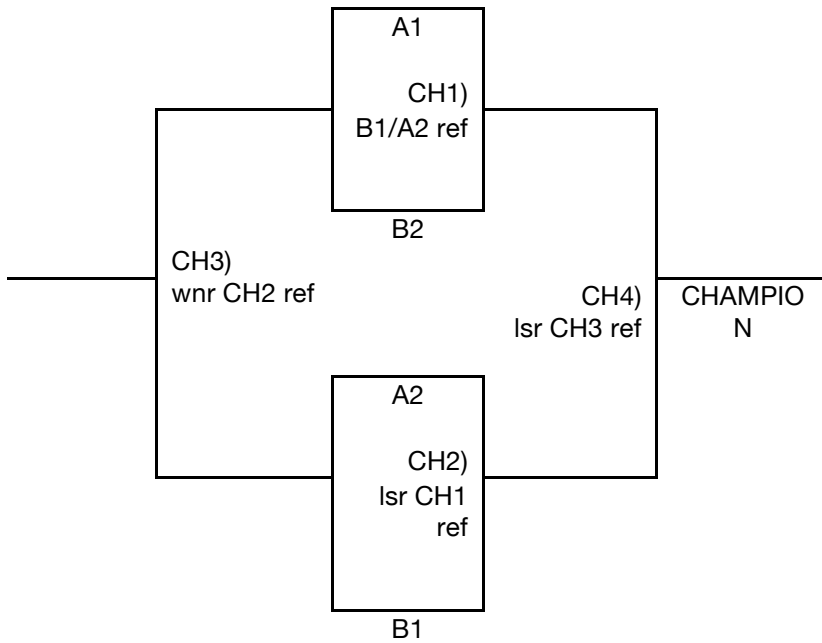
U 13 – Silver -Bahe Gym

Fremont High School - 1750 N. Lincoln Ave, Fremont NE

DOORS OPEN AT 7:15 AM

All tournament matches will be best 2 out of 3 sets to 25 points, starting at 7. Third set 0-15, if necessary.

## CHAMPIONSHIP Ct 1



## CONSOLATION Ct 2

