

Fremont VBC January

U14 Silver

Fremont Middle School - 540 Johnson Rd., Fremont, NE 68025

January 28, 2024 - Doors Open at 7:15 AM

SPECTATORS BRING YOUR OWN CHAIRS, NO CONCESSIONS AT THIS VENUE

ADMISSION \$5.00 CASH ONLY

Warm-ups will be 2 minutes of shared court time, followed by 4 min of hitting for the serving team and 4 min of hitting for the receiving team.

Warm-ups can be shortened to 1-3-3 after each team's first match.

Serving is to be completed during each team's court time. THERE IS NO SHARED SERVING

Pool play will be 2 sets to 25 points, starting at 7.

Court 1

1. Kill 14-1
2. FVC 14-1
3. Hype 14-1
4. PRS Bronze

Court 2

1. Top Flight 14 Silver
2. Banzai Force
3. FVC 14-2
4. Legacy Delta

Court 3

1. PRS Silver
2. Storm 14-1
3. YMCA 14-1

Time (Approx.)	Court # 1	Ref	Court # 2	Ref	Court # 3	Ref
8:00 AM	A1 vs A3	A2	B1 vs B3	B2	C1 vs C3	C2
8:45 AM	A2 vs A4	A1	B2 vs B4	B1	C2 vs C3	C1
	A1 vs A4	A3	B1 vs B4	B3	C1 vs C2	C3
	A2 vs A3	A4	B2 vs B3	B4	XXXXX	XX
	CH1) B2 vs C2	A1	CH2) C1 vs A2	B1	CO1) A4 vs B4	B3/C3 split
	CH3) A1 vs wnr CH1	Isr CH1	CH4) B1 vs wnr CH2)	Isr CH2	CO2) B3 vs C3	Isr CO1
	CH5) Isr CH1 vs Isr CH2	Isr CH3	CO3) A3 vs wnr CO1	Isr CH4	CO4) Isr CO1 vs Isr CO2	wnr CO2
	CH7) wnr CH3 vs wnr CH4)	Isr CH5	CO6) wnr CO2 vs wnr CO3	Isr CO3	CH6) Isr CH3 vs Isr CH4 if*	Isr CO4
	XXXXX	XX	CO5) A3 vs wnr CO4 if** see note	prv Isr	XXXXX	XX

CH = Championship Bracket; CO = Consolation Bracket

The top 2 teams from each pool will advance to a Championship bracket.

The remaining teams will compete in a Consolation bracket

THERE WILL BE NO PLAY-OFF GAMES.

TEAMS WILL BE ASSIGNED TO TOURNAMENTS BY THE FOLLOWING METHOD:

1. BEST SET (games) RECORD
2. HEAD TO HEAD COMPETITION (to include point differential)
3. TOTAL POINT DIFFERENTIAL
4. A COIN TOSS, IF NECESSARY

T-SHIRTS WILL BE AWARDED TO FIRST PLACE TEAM IN THE CHAMPIONSHIP BRACKET

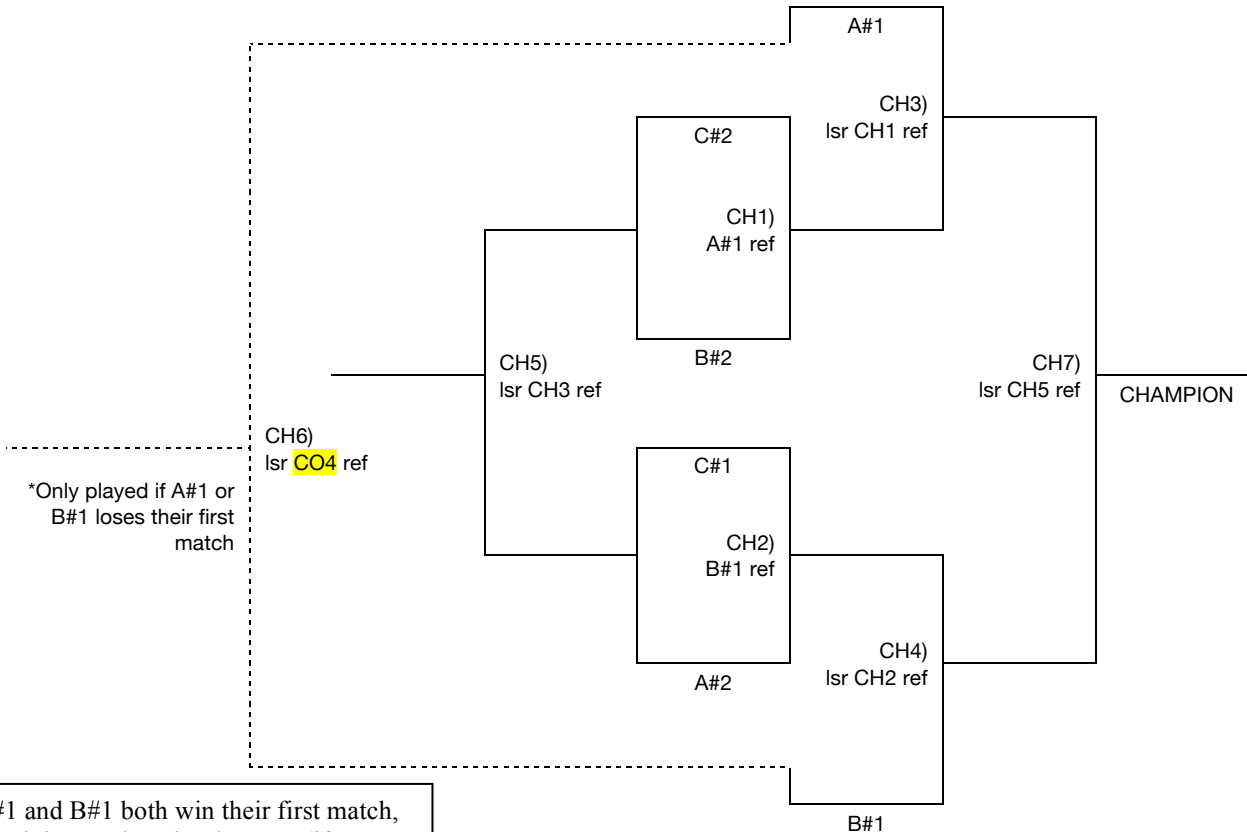
Fremont VBC January

U14 Silver

Fremont Middle School, 540 Johnson Rd., Fremont NE 68025

January 28, 2024

All matches will be best 2 out of 3 sets to 25 points, starting at 7. Third set 0-15, if necessary.



Note: If A#1 and B#1 both win their first match, the CH6 match is not played. The CO5 (if played) match can be moved into that slot on the 3rd court with the lsr of CO4 reffing.

